



SMARTVIEW technical brochure



ITALIAN DESIGN
SOFTWARE CUSTOMIZATION
SAFETY CARE
OPERATOR ORIENTED

General Description

SMARTVIEW is a very compact instrument with a color display, 5 LED indicator and 3 pushbutton. SMARTVIEW is the right solution where space is limited, it is able to manage and display all parameters of the machinery.

It can connect either via CANBUS signal that "traditional". SMARTVIEW is an economic instruments with high performance and flexibility.



TECHNICAL FEATURES

Operating voltage: 8 – 32 Vdc, protected against reverse polarity

Operating temperature: -20°C +70°C

Material: PC- ABS

Sealing: IP65

CPU: - 16 bit Spansion microcontroller

Memory: - FLASH: 256,5KB + 32KB
- RAM: 16KB

LCD TFT panel: - Format: 2,4inch
- Resolution: 240x320 dots
- Orientation: Landscape or portrait
- Backlight: LED 220cd/m²
- Contrast ratio: 500

12 Digital INPUT (active high or low settable by SW)

2 Analog INPUT (resistive type)

2 Frequency INPUT

4 protected HIGH SIDE OUTPUT 2,5A (if used all output maximum 750mA for each)

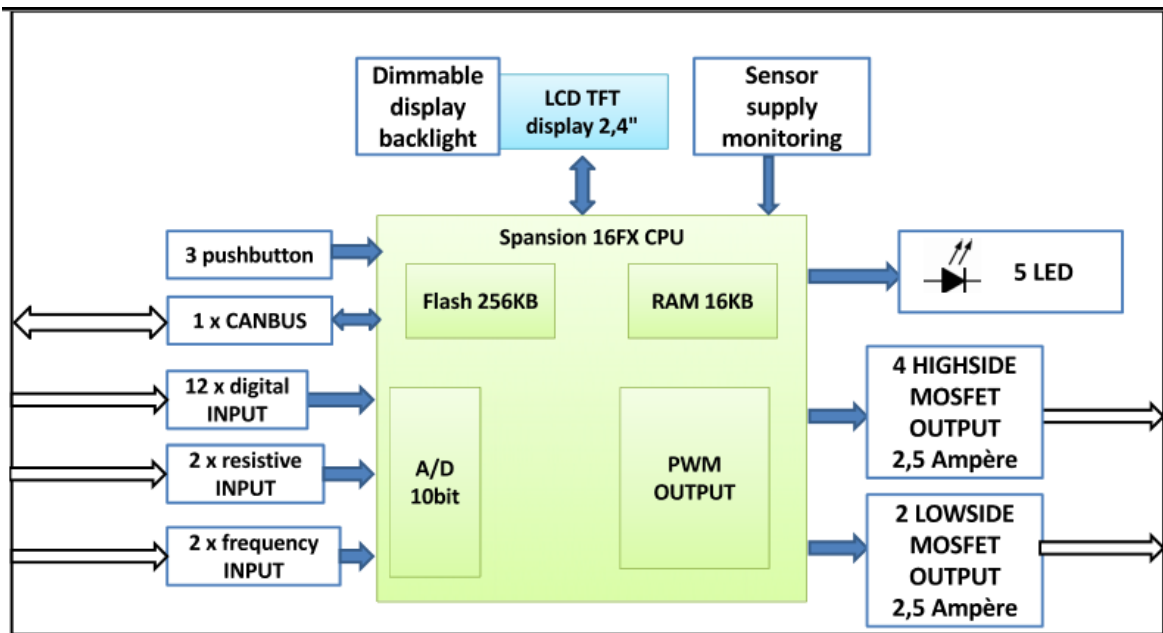
2 protected LOW SIDE OUTPUT 2,5A

1 CANBUS 2.0 part A and B up to 1Mbps (ISO 11898 standard)

Programmable in C languages and eDASH3K

CAN bootloader for FW upgrade

Block diagram

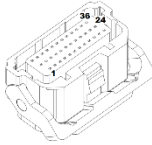
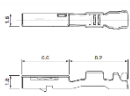
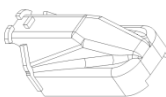
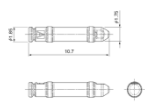


PINOUT CONNECTION

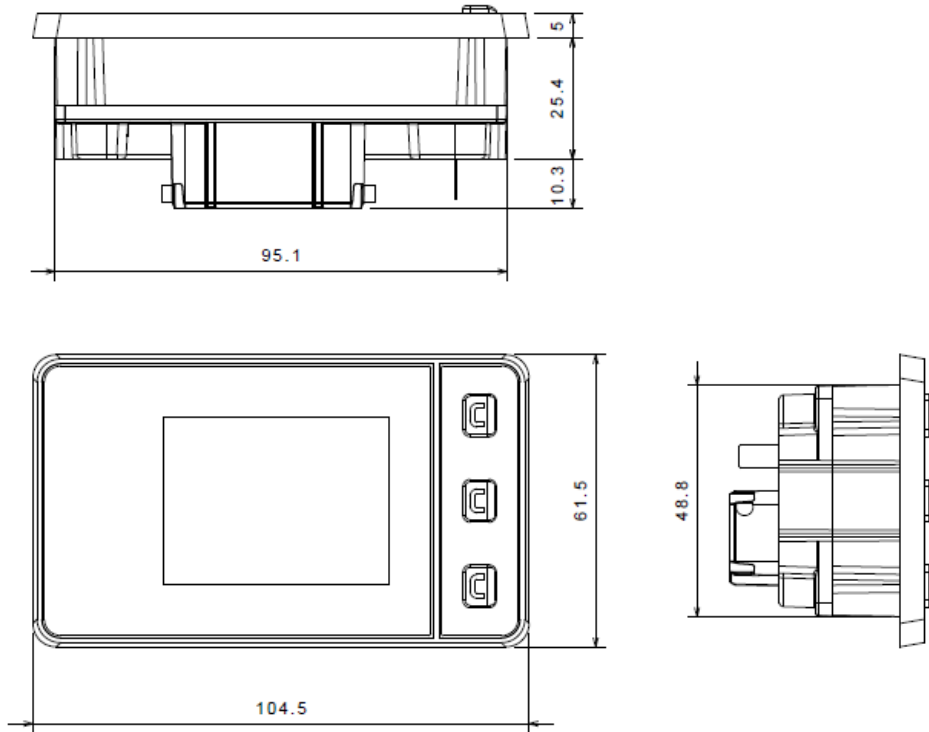
PIN	Function	PIN	Function	PIN	Function
1	+Vbatt	13	FREQ INPUT 1	25	DIGITAL IN 1
2	+Vbatt	14	FREQ INPUT 2	26	DIGITAL IN 2
3	GND	15	UART RX TTL	27	DIGITAL IN 3
4	GND	16	UART TX TTL	28	DIGITAL IN 4
5	OUTPUT LOW SIDE 1	17	CANO TX termination	29	DIGITAL IN 5
6	OUTPUT LOW SIDE 2	18	CANO RX termination	30	DIGITAL IN 6
7	RESISTIVE INPUT 2	19	CANO L	31	DIGITAL IN 7
8	RESISTIVE INPUT 1	20	CANO H	32	DIGITAL IN 8
9	HIGH VOLTAGE INPUT (UNTIL 48V)	21	GND	33	DIGITAL IN 9
10	NOT CONNECTED	22	GND	34	DIGITAL IN 10
11	OUTPUT HIGH SIDE 3	23	OUTPUT HIGH SIDE 1	35	DIGITAL IN 11
12	OUTPUT HIGH SIDE 4	24	OUTPUT HIGH SIDE 2	36	DIGITAL IN 12

(*) function selectable via FW

Connector for harness cable

	<p>Manufacturer: J.S.T. Model: 36ZRO-B-1A (connector) Key Code: A Color: Black AMA Code: F24971</p>
	<p>Manufacturer: J.S.T. Model: : SZRO-A021T-MO.64 (female terminal) Conductor (mmq): 0.3 to 0.5 Insulation O.D. (mm): 1.6 to 1.7 AMA Code: F24971.F</p>
	<p>Manufacturer: J.S.T. Model: ZROHC-36H-K (cover) Color: Black AMA Code: F24971.C</p>
	<p>Manufacturer: J.S.T. Model: WPHDP-H-1A-H (dummy plug) Color: Gray AMA Code: F24971.T</p>

Overall dimensions





Strumentazione analogica-digitale,
centraline elettroniche e spie

Analog-Digital instruments,
Electronic Control Board & Indicators

ITALIAN DESIGN
SOFTWARE CUSTOMIZATION
SAFETY CARE
OPERATOR ORIENTED

AMA INSTRUMENTS

Via Repubblica, 7
41011 Campogalliano, MO (Italy)
Tel. 0522 636331 - Fax 0522 695753
www.ama.it - ama@ama.it

Headquarter:

AMA S.p.a.

Via Giacomo Puccini, 28
42018 San MArtino in Rio (RE) Italy
Tel. +39 0522 6369 (10 linee r.a.) - Fax +39 0522 695753
www.ama.it - ama@ama.it

AZIENDA CON SISTEMA DI GESTIONE
PER LA QUALITÀ CERTIFICATO DA DNV
= UNI EN ISO 9001:2008 =