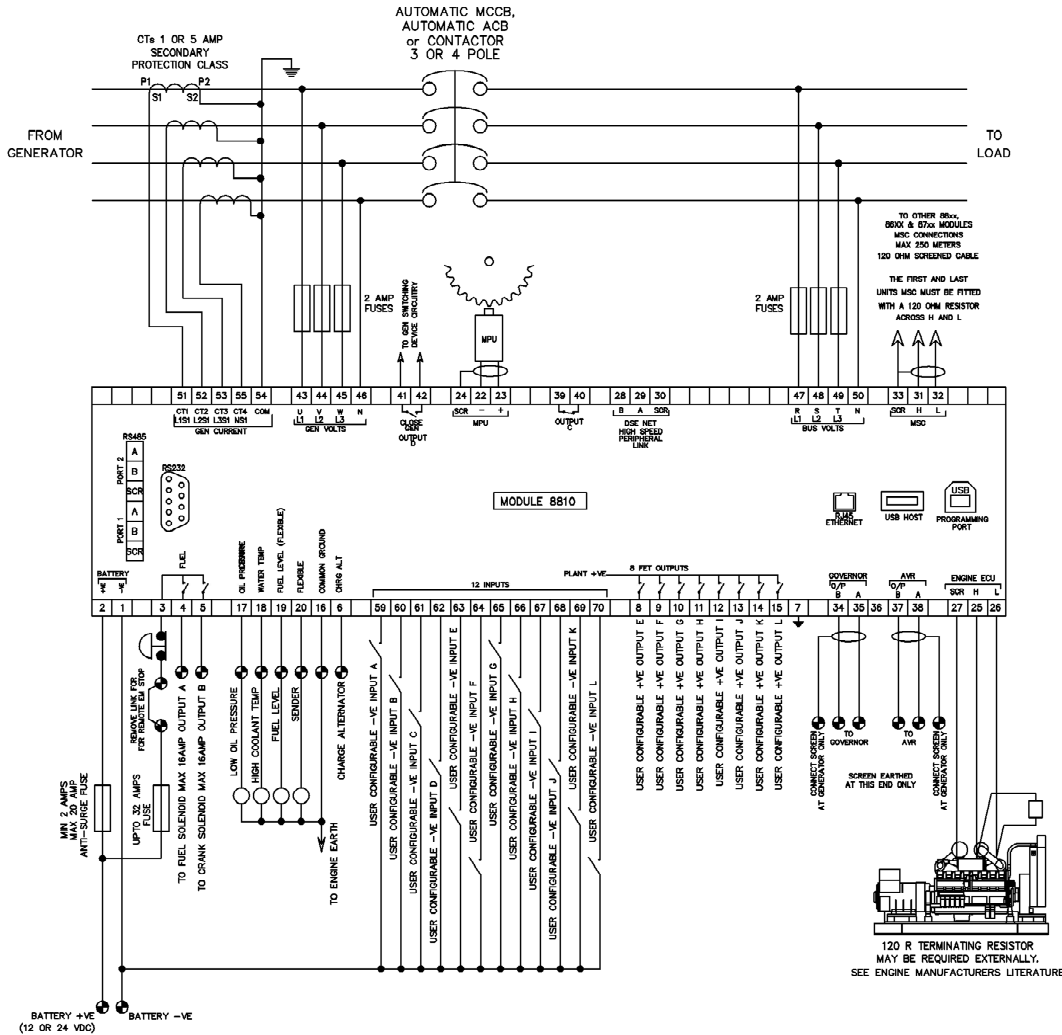


TYPICAL WIRING DIAGRAM

A larger diagram is available in the operators manual.
Part No 057-163



DIMENSIONS AND MOUNTING

For flat surface mounting in a Type 1 enclosure

DIMENSIONS

240.0mm x 181.1mm x 41.7mm (9.4" x 7.1" x 1.6")

PANEL CUTOUT:

220mm x 160mm (8.7" x 6.3")

Deep Sea Electronics Plc.

Tel: +44 (0)1723 890099
Fax: +44 (0)1723 893303
Email: support@deepseapl.com
Web: www.deepseapl.com

Deep Sea Electronics Inc.

Phone: +1 (815) 316-8706
Fax: +1 (815) 316-8708
TOLL FREE (USA only) : Tel: 1 866 636 9703
Email: dsesales@deepseausa.com
Web: www.deepseausa.com



Accessing the Front Panel Configuration Editor.

- Ensure the engine is at rest and the module is in STOP mode by pressing the Stop/Reset button.
- Press and hold the the Stop button and Tick button together.
- If a module security PIN has been set, the PIN number request is then shown.
- Press the first '#', the first '#' changes to '0'. Press the up or down buttons to adjust it to the correct value.
- Press the right button when the first digit is correctly entered. The digit you have just entered will now show '#' for security.
- The other digits of the PIN number. You can press the left button if you need to move back to adjust one of the previous digits.
- When the tick button is pressed after editing the final PIN digit, the PIN is checked for validity. If the number is not correct, you must re-enter the PIN.
- If the PIN has been successfully entered (or the module PIN has not been enabled), the editor is displayed.
- To edit the parameter, press the tick button to enter edit mode. The parameter begins to flash to indicate that you are editing the value.
- Press the up or down buttons to change the parameter to the required value.
- Press the tick button to save the value. The parameter ceases flashing to indicate that it has been saved.
- To exit the editor at any time, press and hold the Stop or Tick button.

EDITING A PARAMETER

- Enter the editor as described above.
- Press the up, down and right buttons to cycle to the section you wish to view/change. Then press the up or down buttons to cycle to the parameter within the section you have chosen.
- To edit the parameter, press the tick button to enter edit mode. The parameter begins to flash to indicate that you are editing the value.
- Press the up or down buttons to change the parameter to the required value.
- Press the tick button to save the value. The parameter ceases flashing to indicate that it has been saved.
- To exit the editor at any time, press and hold the Stop or Tick button.

- ▲ **NOTE:** When the editor is visible, it is automatically exited after 5 minutes of inactivity to ensure security.
- ▲ **NOTE:** The PIN number is automatically reset when the editor is exited (manually or automatically) to ensure security.
- ▲ **NOTE:** More comprehensive module configuration is possible using the PC configuration software. Please contact us for further details
- ▲ **NOTE:** The contents of the tables overleaf may differ depending on the actual module configuration.

ADJUSTABLE PARAMETERS - Front Panel Configuration Editor.

Section	Parameter	Detail of Parameter	Parameter Action	Values		
Inputs	Oil Pressure	Low Oil Pressure	Shutdown Trip	0.00 Bar		
			Warning Trip	0.00 Bar		
	Coolant Temperature	High Coolant Alarms	Pre-Alarm Trip	00 Deg C		
			Electrical Trip	00 Deg C		
			Shutdown Trip	00 Deg C		
			Low Coolant Alarms	Pre Alarm Trip	00 Deg C	
Fuel Level	Fuel Usage Alarm	Running Rate	Up / down			
		Stopped Rate	Up / down			
Timers	Start Timers	Start Delay	Remote Start Off Load	s		
			Remote start On Load	s		
			Telemetry Start	s		
			Start Timers	Preheat	s	
			Cranking Time	s		
			Crank Rest Time	s		
		Smoke Limit	s			
		Smoke Limit Off	s			
		Safety on Delay	s			
		Warming up Timer	s			
		Stopping Timers	Stopping Timers	Return Delay	s	
				Cooling Time	mm:ss	
	Fail To Stop Delay			0s		
	Display		Gen Transient Delay	0s		
			Page Timer	mm: ss		
			Scroll Timer	s		
	Generator	Generator Options	AC System		3 Phase, 4 wire Delta	
				2 Phase, 3 Wire L1-L3		
				2 Phase, 3 Wire L1-L2		
				3 Phase, 3 Wire		
				Single Phase, 2 Wire		
				3 Phase, 4 Wire		
Generator Rating		KW Rating		0 KW		
			kVAR Rating	0 kVAr		
Generator Current		Current Options	CT Primary (L1,L2,L3,N)	0A		
			CT Secondary 5Amp / 1 Amp	5 / 1 Amp		
			Full Load Rating	0A		
			Earth Fault	Earth CT Primary	0A	
			Trip Action	Enabled / Disabled		
			Trip Percentage	0%		
			Over Current Alarm	IDMT Alarm	Enabled / Disabled	
			Short Circuit	Trip	0% 0.0A	
Generator Voltage		Under Voltage Alarms	Alarm Trip	0%		
			Pre-Alarm Trip	0A		
			Nominal Voltage	Nominal Voltage	0V	
			Over Voltage Alarms	Pre-alarm trip	0V	
			Alarm Trip	0V		
			Generator Frequency	Under Frequency Alarms	Alarm Trip	0.0Hz
					Pre-Alarm Trip	0.0Hz
					Nominal Frequency	0.0Hz
		Pre-Alarm Trip			0.0Hz	
				Alarm Trip	0.0Hz	
Generator Power	Overload Protection			Overload Protection Trip	0% (0 kW)	
		Reverse Power Trip (Delay)	0kW (0.0 s)			
Synchronising	Load Control		KVAr Fixed Export			
			kVAr Share			
	Ramp Speed		Ramp Speed	0.0 %/s		
			Calling For More Sets	0 %		
	Load Demand		Calling For Less Sets	0 %		
			Insufficient Capacity	Action	Warning / Shutdown / None / Indication / Electrical Trip	
Engine	Engine Options	Overspeed Options	Overspeed Overshoot	0%		
			Overshoot Delay	s		
		Droop		Enable	Enabled / Disabled	
				Percent	0.0%	
	Speed Settings	Under Speed	Alarm Enable	Enabled / Disabled		
			Alarm Trip	0000 RPM		
			Warning Enable	Enabled / Disabled		
			Warning Trip	0000 RPM		
	Over Speed		Alarm Trip	0000 RPM		
			Pre-Alarm Enable	Enabled / Disabled		
			Pre-Alarm Trip	0000 RPM		
			Plant Battery	Under Voltage Alarms	Under Volts Enable	Enabled / Disabled
	Under Volts Delay	mm:ss				
	Under Volts Pre-Alarm	0.0v				
	Over Voltage Alarms	Over Volts Enable	Enabled / Disabled			
			Over volts Delay	mm:ss		
			Over Volts Pre-Alarm	0.0v		
			Charge Alt Alarm	Alarm Enable	Enabled / Disabled	
Alarm Trip			0.0v			
		Alarm Delay	s			
		Charge Alt Pre-Alarm	Pre-Alarm Enable	Enabled / Disabled		
		Pre-Alarm Trip	0.0v			
		Pre-Alarm Delay	s			
Alt. Config Options	Default Configuration		Alternative Configuration 3			
			Alternative Configuration 2			
			Alternative Configuration 1			
			Main Configuration			

ACCESSING THE "MAINTENANCE" EDITOR

Press (up) or (down) buttons together.

Press , (Up) or (down) (right) to cycle to the Parameter you wish to action.

Description	Action	Activation
USB Stick Removal	Request	Press
Override Starting Alarms	Request	
Clear AMF Alarm	Clear	
Manual Fuel Pump	Inactive	
Min / Max Session Reset	Request	
Cancel Telemetry	Request	Button

To exit the editor at any time, press and hold the Tick button.

ACCESSING THE 'RUNNING' CONFIGURATION EDITOR

- The 'running' or editor can be entered while the engine is running. All protections remain active if the engine is running while the running editor is entered.
- Press and hold the button to enter the running editor.

ADJUSTABLE PARAMETERS (Running Configuration Editor) Enter the editor as described above.

- Press the (up) or (down) buttons to cycle to the section you wish to view / change.
- To Edit the parameter press the Tick button to enter edit mode. The parameter begins to flash to indicate that you are editing the value.
- Press the (up) or (down) buttons to change the parameter to the required value.
- Press the Tick button to save the value. The parameter ceases flashing to indicate that it has been saved.
- Press and hold Tick button to exit the "Running Configuration Editor".

Section	Parameter	Detail Of Parameter	Values	
Language	Language		other	
			English (United Kingdom)	
Generator	Running	Load Power Factor	0%	
			0.00pf	
		Load Parallel Power		0kVAr
				0%
	Load Priority	Load Priority		0kW
			Options	1
	Voltage	Starting Alarms		Disabled / Enabled
			Decoupling Test Mode	Disabled / Enabled
	Frequency	Voltage Adjust		0%
			Frequency Adjust	0%
Display	Press/ Temp Units	Pressure	kPa / PSI / Bar	
		Temperature	Deg F / Deg C	
	Volume Units	Volume	Litre / Gallons US / Gallons (UK)	
	Display	LCD Backlight	0%	
	AC Graphics	AC Min / Max Enable		Enabled / Disabled
			AC Meter Enable	Enabled / Disabled
		THD Screen Enable		Enabled / Disabled
			Engine	Multi Meter Mode
	Alarm	Tier 4 Screen		Enabled / Disabled
			Summary	Alarm Alert Box
	Home	Summary Area Graphic		Bars / Connectors
			Commissioning Screens	Enabled / Disabled
Engine	Speed Adjust		Up / Down buttons	
Time	Module Time		hh:mm:ss	
		Module Date	DD/ MM/ YYYY	
		Date Format	MM/ DD/ YYYY OR DD/ MM/ YYYY	
			MM/ DD/ YYYY OR DD/ MM/ YYYY	