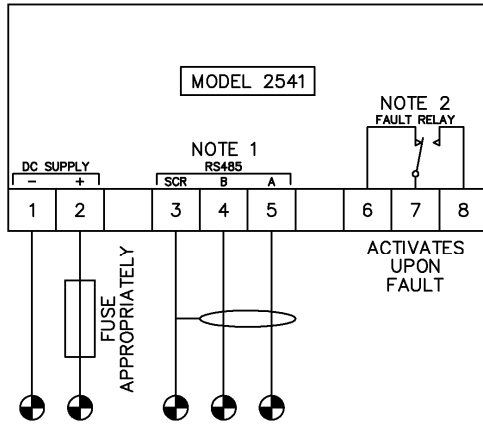
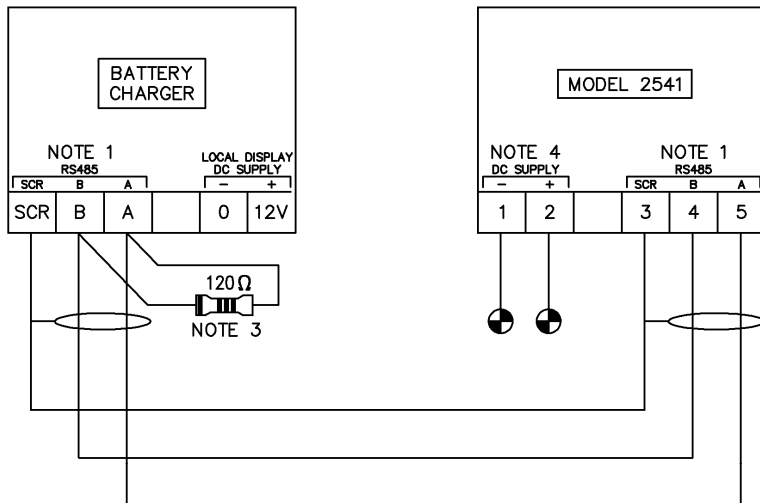


TYPICAL WIRING DIAGRAM



- NOTE 1
A 120 OHM TERMINATION RESISTOR IS FITTED INTERNALLY
- NOTE 2
FAULT RELAY ONLY FITTED TO 2541-001-02 VARIANT



- NOTE 1
A 120 OHM TERMINATION RESISTOR IS FITTED INTERNALLY
- NOTE 3
A 120 OHM TERMINATION RESISTOR MUST BE FITTED TO CHARGER
- NOTE 4
WHEN ENCLOSED CHARGER HAS FACTORY FITTED DISPLAY OR THE DSE2541 IS A LONG DISTANCE AWAY, AN EXTERNAL DC SUPPLY MUST BE USED.



053-154 ISSUE: 6

DEEP SEA ELECTRONICS DSE2541 INSTALLATION INSTRUCTIONS

ACCESSING THE FRONT PANEL EDITOR

- The Front Panel Editor (FPE) is accessed by pressing and holding the (✓) button.
- Press the (up) or (down) button to cycle through the *Adjustable Parameters* listed overleaf.
- Press the (✓) button to edit a parameter when it is being viewed on the screen. The value flashes to show edit mode is in progress.
- Press the (+) or (-) button to change the parameter to the required value.
- Press the (✓) button to save the currently selected value. The value ceases flashing to show editing is complete.
- Press and hold the (✓) button to exit the editor

REQUIREMENTS FOR UL CERTIFICATION

Specification	Description
Screw Terminal Tightening Torque	4.5 lb-in (0.5 Nm)
Conductors	<ul style="list-style-type: none"> Terminals suitable for connection of conductor size 13 AWG to 20 AWG (0.5 mm² to 2.5 mm²). Suitable conductor protection shall be provided in accordance with UL2200 2nd, Sec. 21.2. Low voltage circuits (30 V or less) shall be supplied from the Charger, battery or an isolated secondary circuit. The communication, sensor, and/or battery derived circuit conductors shall be separated and secured to maintain at least 6.4 mm (1/4 ".) separation from any High voltage connected circuit conductors per UL 2200 2nd Ed. Sec. 28.3.2.
Communication Circuits	Communication circuits shall be connected to communication circuits of Listed equipment which shall be provided in accordance with UL 2200, sec. 71.
Mounting	Suitable for use in type 1 Enclosure Type
Operating Temperature	-22 °F to +122 °F (-30 °C to +50 °C) (Non UL certification, maximum temperature is +70 °C (+158 °F))
Storage Temperature	-40 °F to +176 °F (-40 °C to +80 °C)

ADJUSTABLE PARAMETERS

NOTE: On later versions of the DSE2541 display, only parameters 100 to 108 are available for configuration.

Index	Parameter	Value
100	Contrast	0 %
101	Temperature Units	°C, °F
102	Slave ID	1 to 255
103	Baud Rate	Selection List
104	Enable Alarm Popup Screen	Enable, Disable
105	Home Page Configuration	Home Page List
106	Home Page Timeout	0 s
107	Sleep Mode Timeout	0 s
108	Enable Engineering Page	Enable, Disable

Parameter 105 – Home Page Configuration has the following possible selections:

Value	Home Page List
0	Analogue Meters
1	Output Voltage And Current
2	Output Power And Battery Charger Temperature
3	Battery Sensed Voltage And Battery Temperature
4	Mains AC Voltage And Frequency
5	Battery Charger Model And Charger Software Version
6	Control Page
7	Alarms Page
8	Engineering Page 1
9	Engineering Page 2

LED INDICATIONS



CHARGER STATUS

Condition	LED State
Charger Off	Off
Charger On	On

FAULT STATUS

Condition	LED State
No Fault	Off
Warning Fault	On
Shutdown Fault	Flashing

BOOST MODE

Condition	LED State
Boost Off	Off
Boost On	On

DIMENSIONS AND MOUNTING

For flat surface mounting in a Type 1 enclosure

DIMENSIONS

140 mm X 113 mm X 43 mm
(5.5 " X 4.4 " X 1.7 ")

PANEL CUTOUT

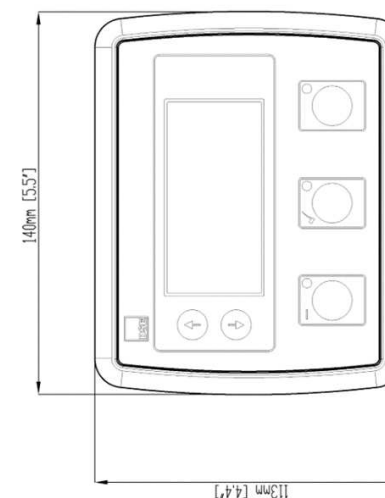
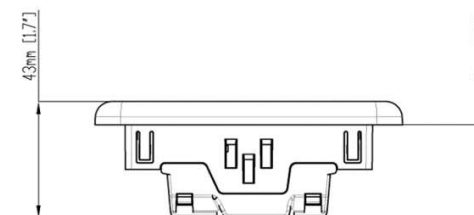
118 mm X 92 mm
(4.6 " X 3.6 ")

WEIGHT

0.16 kg
(5.64 ounces)

TEMPERATURE

-30 °C to 70 °C
(-22 °F to 158 °F)



Deep Sea Electronics Plc.

Tel: +44 (0)1723 890099
Fax: +44 (0)1723 893303
Email: support@deepseapl.com
Web: www.deepseapl.com

Deep Sea Electronics Inc.

Tel: +1 (815) 316 8706
Fax: +1 (815) 316 8708
Email: support@deepseausa.com
Web: www.deepseausa.com