



# DASHCONTROL

## technical brochure



ITALIAN DESIGN  
SOFTWARE CUSTOMIZATION  
SAFETY CARE  
OPERATOR ORIENTED

## General Description

*DASHCONTROL is the new remote control system for display. Featuring an innovative design and highly ergonomic DASHCONTROL allows the operator to manage the dashboard to display directly from the arm rest or from the command console. It connects to the display via CANBUS.*



## TECHNICAL FEATURES

**Operating voltage:** 8 – 32 Vdc, protected against reverse polarity

**Operating temperature:** -20°C +70°C

**Material:** PC- ABS + silicon rubber + PMMA with antiscratch and anti reflective treatment

**Sealing:** IP65

**CPU:** - 16 bit Spansion microcontroller

**Memory:** - FLASH: 256,5KB + 32KB  
- RAM: 16KB

**LCD TFT panel:** - Format: 2,4inch  
- Resolution: 240x320 dots  
- Orientation: Landscape or portrait  
- Backlight: LED 950cd/m<sup>2</sup>  
- Contrast ratio: 500

**1** CANBUS 2.0 part A and B up to 1Mbps (ISO 11898 standard)

**1** optical encoder – lifetime 1 Million cycle

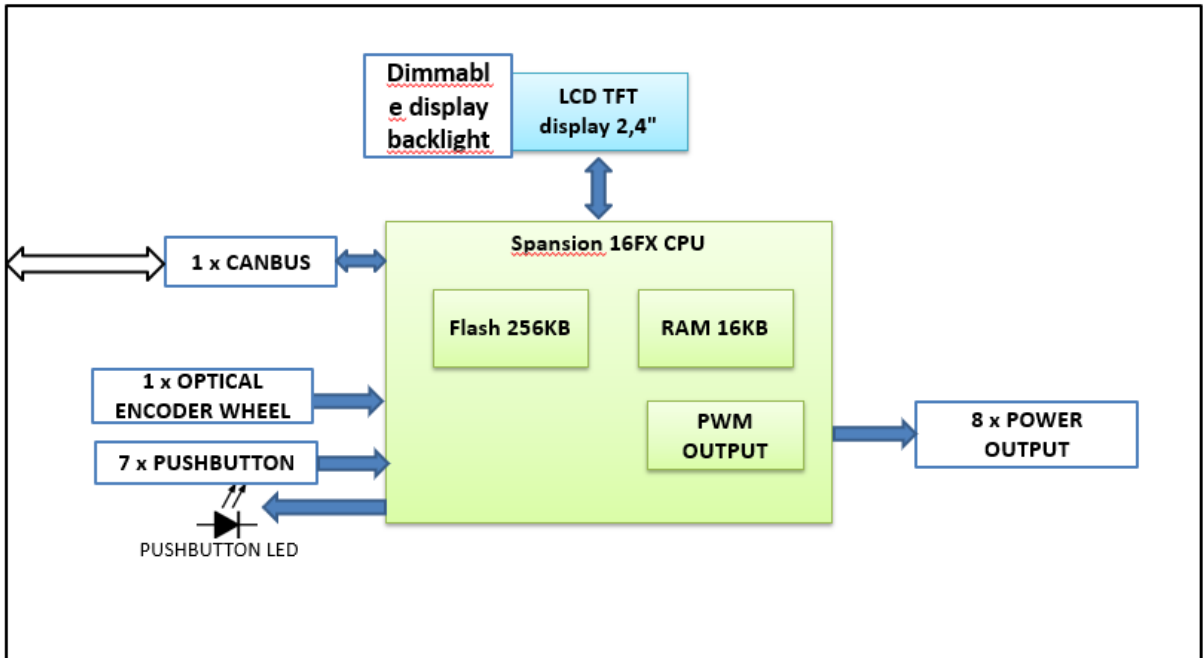
**7** backilluminated silicon rubber pusbutton – lifetime 1 Million cycle

**8** POWER OUTPUT HSD 3 ampère with reverse and short circuit protection

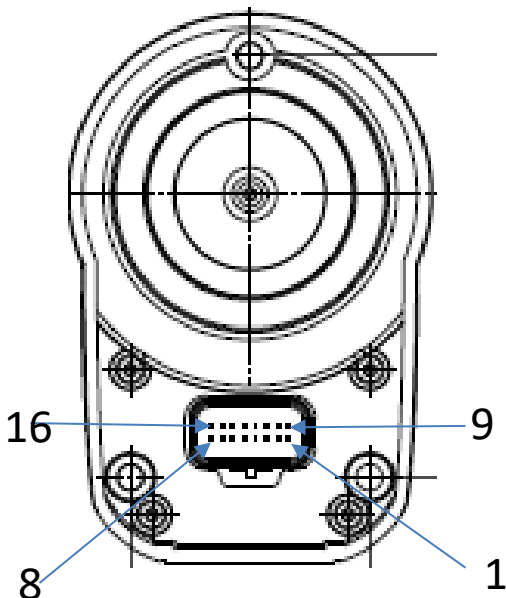
Programmable in C languages

CAN bootloader for FW upgrade

## Block diagram

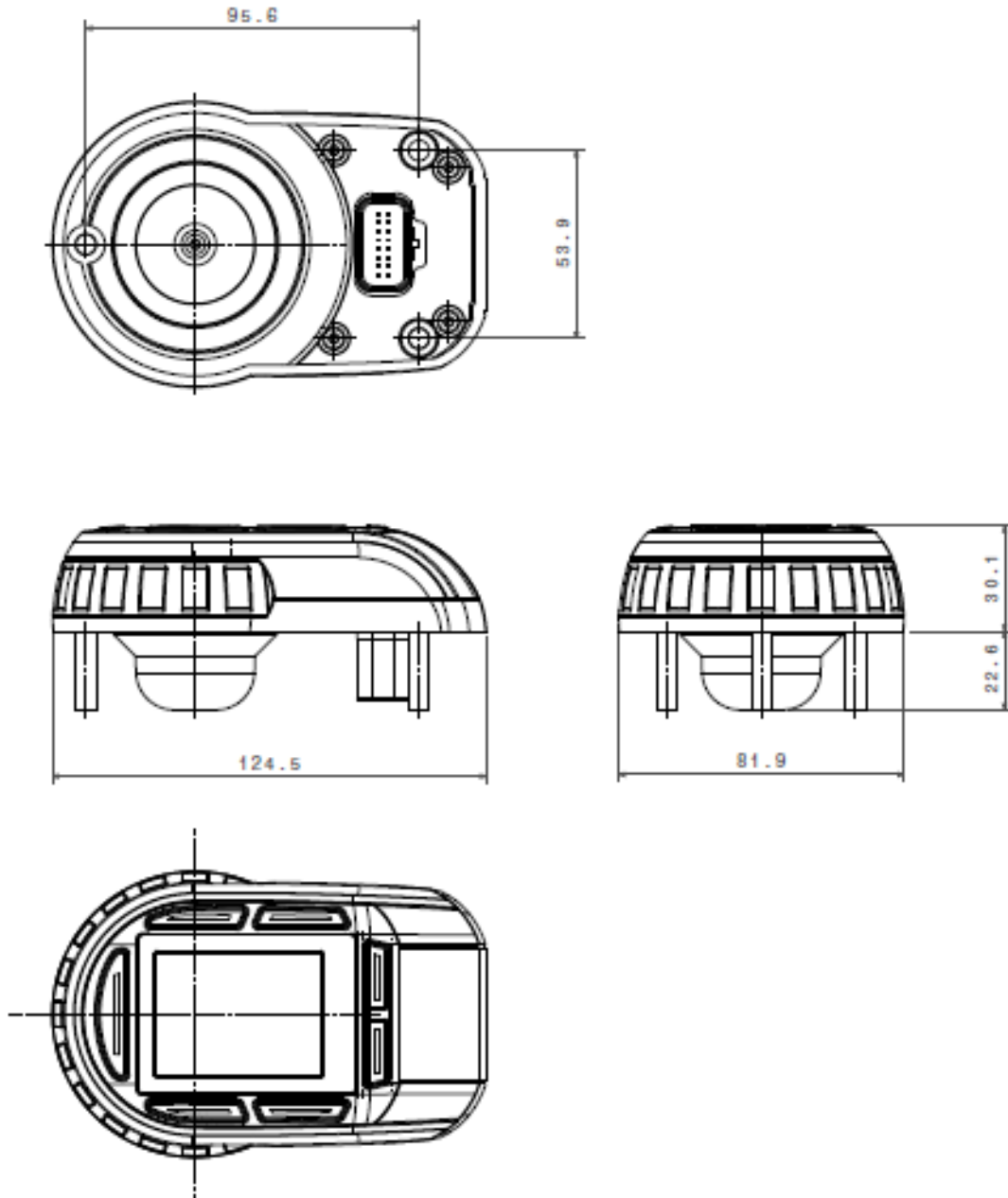


## PINOUT



PIN	DESCRIPTION	PIN	DESCRIPTION
1	OUT 2	9	OUT 6
2	OUT 1	10	OUT 5
3	VCC POWER	11	VCC
4	VCC POWER	12	GND
5	VCC POWER	13	CAN H
6	VCC POWER	14	CAN L
7	OUT 8	15	OUT 4
8	OUT 7	16	OUT 5

## Overall dimension





Strumentazione analogica-digitale,  
centraline elettroniche e spie

Analog-Digital instruments,  
Electronic Control Board & Indicators

ITALIAN DESIGN  
SOFTWARE CUSTOMIZATION  
SAFETY CARE  
OPERATOR ORIENTED

**AMA INSTRUMENTS**

Via Repubblica, 7  
41011 Campogalliano, MO (Italy)  
Tel. 0522 636331 - Fax 0522 695753  
[www.ama.it](http://www.ama.it) - [ama@ama.it](mailto:ama@ama.it)

Headquarter:

**AMA S.p.a.**

Via Giacomo Puccini, 28  
42018 San MArtino in Rio (RE) Italy  
Tel. +39 0522 6369 (10 linee r.a.) - Fax +39 0522 695753  
[www.ama.it](http://www.ama.it) - [ama@ama.it](mailto:ama@ama.it)

AZIENDA CON SISTEMA DI GESTIONE  
PER LA QUALITÀ CERTIFICATO DA DNV  
= UNI EN ISO 9001:2008 =